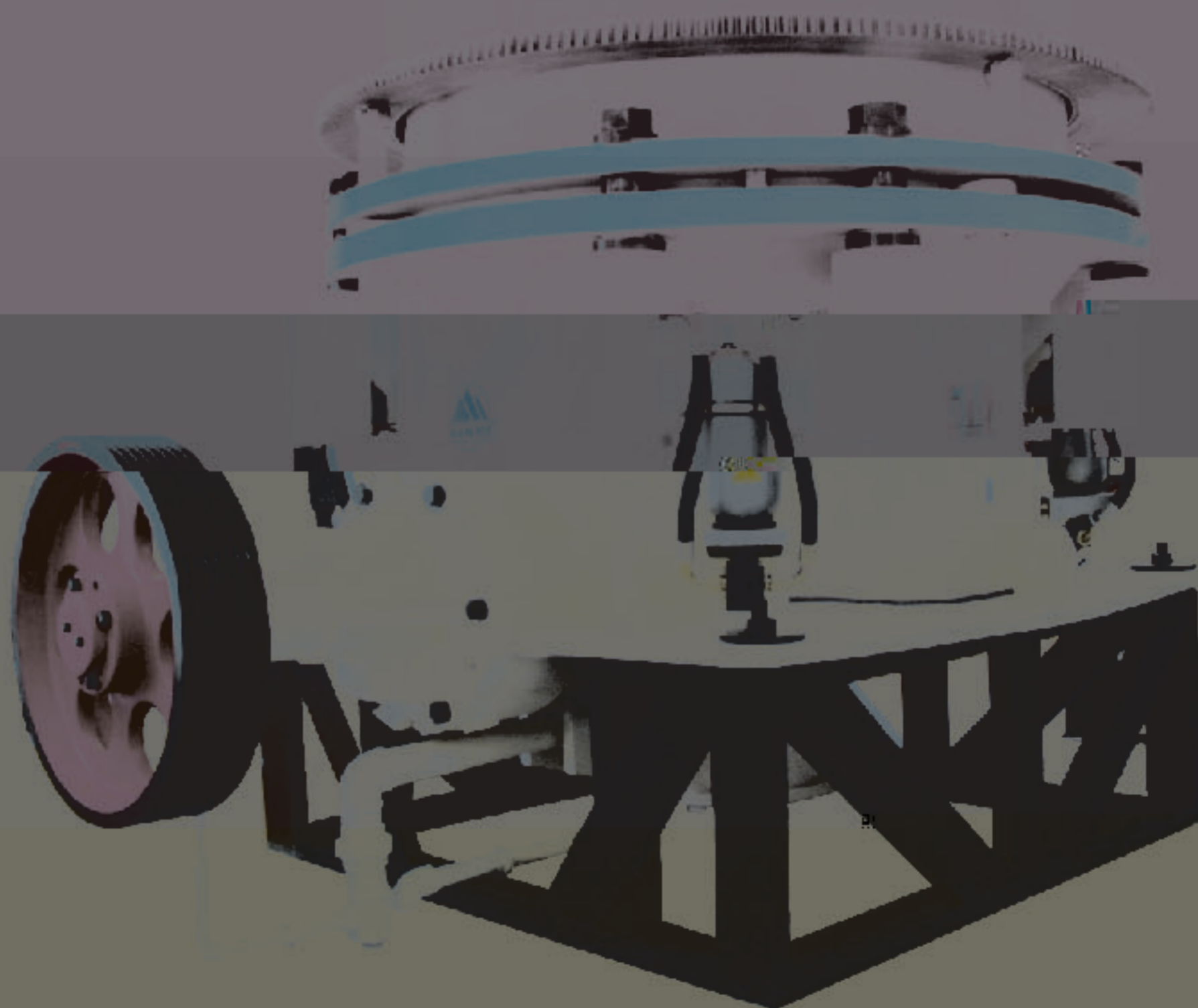


SANME



SMH 系列 液压圆锥破碎机

SMH Series Cone Crushers



上海山美环保装备股份有限公司
SHANGHAI SANME MINING MACHINERY CORP., LTD.
(中德合资控股)
(Sino-German JV Holding)

SMH系列多缸液压圆锥破碎机

SMH Series Cone Crusher

SMH系列液压圆锥破碎机有二种排矿口调整形式：

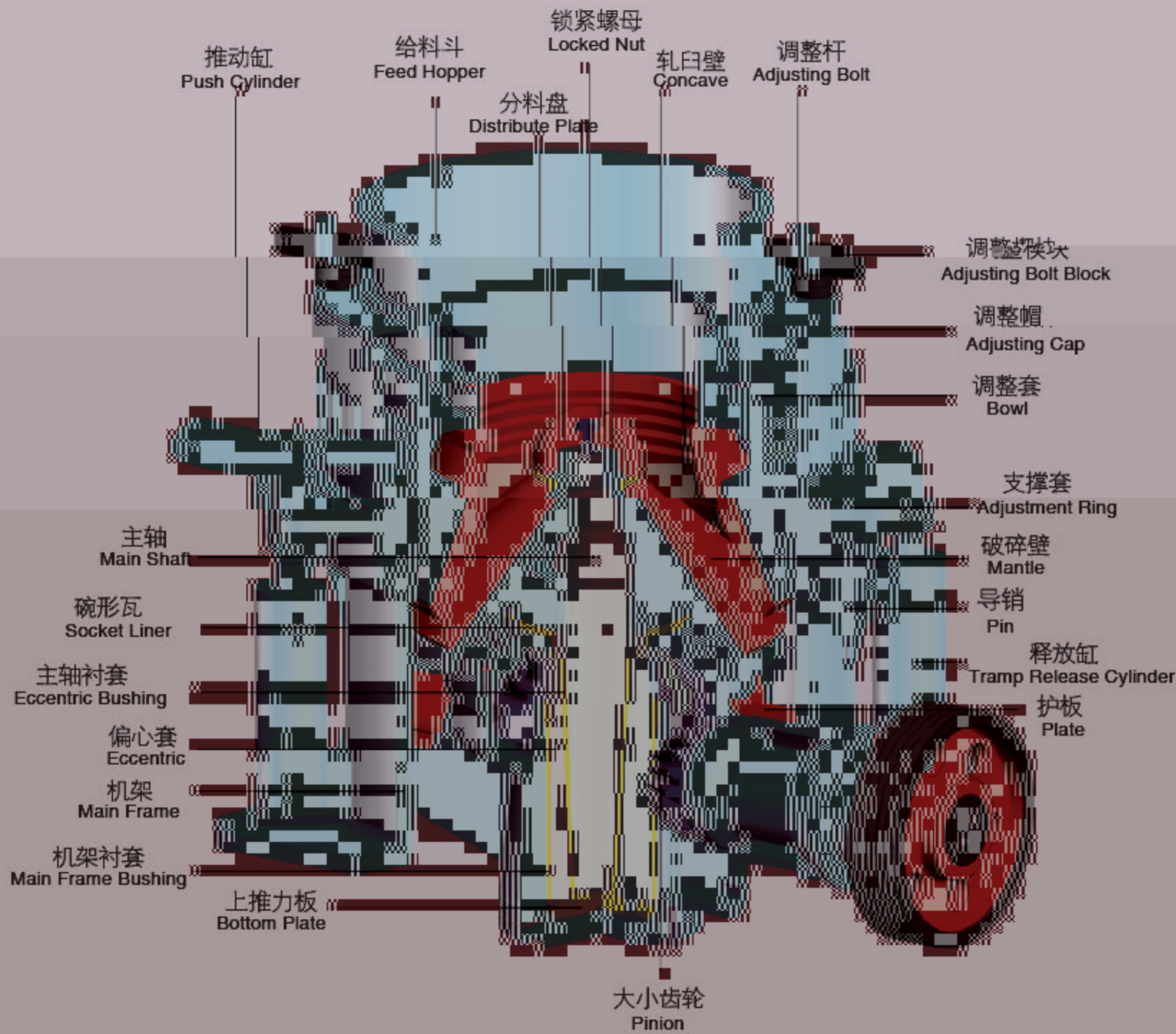
There are tow types of discharge setting adjustment for SMH series hydraulic cone crusher:

液压缸调整排矿口；

Discharge setting can be adjusted by hydraulic cylinder

主要部件

Main Components



- 结构合理，破碎原理及技术参数先进，运转可靠，运行成本低；
- 具有大破碎力，生产效率高、产量高，产品粒形好；
- 液压系统方便可靠，能提供安全有效的过载保护；
- 多种破碎腔，适应大范围产品粒度要求；
- 采用液压调整、液压清腔设置，自动化程度大为提高。

- Reasonable structure, advanced crushing principle and technical data, reliable work and low cost.
- Strong crushing ability, high efficiency productivity, high capacity, good product shape.
- Hydraulic system is reliable, provide safe and effective overload protection.
- Types of crushing cavity are for wide range of product size requirement.
- Use hydraulic adjustment and hydraulic clean cavity setting, much increase automation.



SMH系列多缸液压圆锥破碎机

SMH Series Cone Crusher

液压马达调整排矿口；

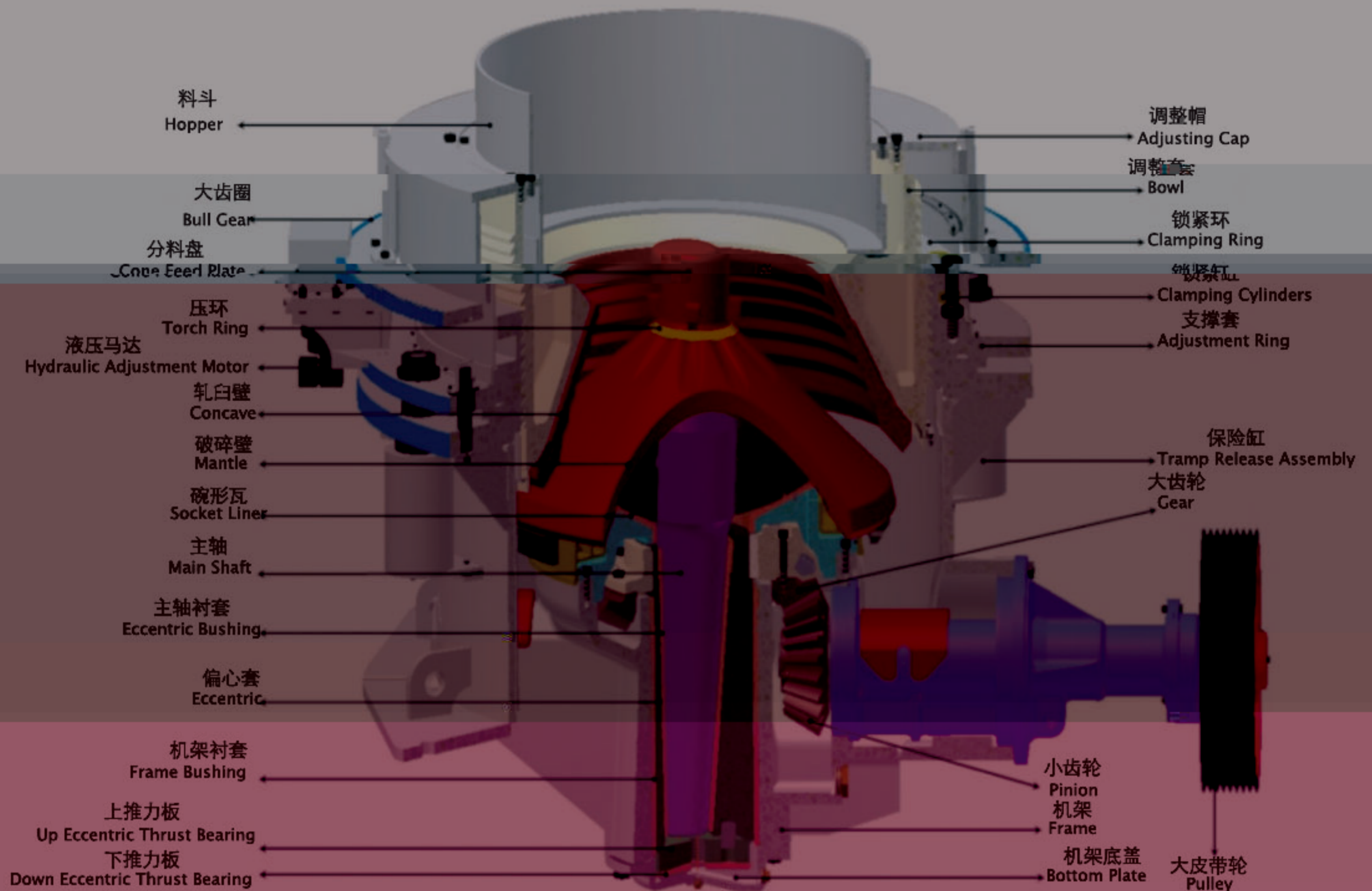
Discharge setting can be adjusted by hydraulic motor

SMH120/180/250为选装 - **Optional**

SMH350/550为标准配置 - **Standard**

主要部件

Main Components



技术特点:

- ◎ 结构合理，破碎原理及技术参数先进，运转可靠，运行成本低；
- ◎ 具有大破碎力，生产效率高、产量高，产品粒形好；
- ◎ 液压系统方便可靠，能提供安全有效的过载保护；
- ◎ 多种破碎腔，适应大范围产品粒度要求；
- ◎ 采用液压调整、液压清腔设置，自动化程度大为提高；
- ◎ 采用液压马达调整排矿口，方便快捷。

Features and Benefits:

- ◎ Reasonable structure, advanced crushing principle and technical data, reliable work and low cost.
- ◎ Strong crushing ability, high efficiency productivity, high capacity, good product shape
- ◎ Hydraulic system is reliable, provide safe and effective overload protection.
- ◎ Types of crushing cavity can be selected, can meet product size requirement.
- ◎ Use hydraulic adjustment and hydraulic clean cavity setting, much increase automation.
- ◎ By hydraulic motor, the discharge setting can be easily and quickly adjusted.

SMH系列多缸液压圆锥破碎机

SMH Series Cone Crusher

特点及优势

Features and Benefits

优化的腔型 更高的产量

在总结了各种破碎腔型的优缺点基础上，在经历理论的分析 and 实践的检验情况下，山美工程师设计出的SMH系列液压圆锥破碎机的腔型具有产量高、能耗低的特点。在同样的破碎壁直径下，破碎行程更长、破碎比更大。在满腔情况下更能利用层压破碎作用，使最终的产品粒度组成更稳定、粒形（立方体）更优。



Optimized cavity and higher output

Through much the oreitic analysis and practice examination, engineers in SANME designed this hydraulic cone crusher on the basis of advantages and disadvantages of different kinds of cone crusher. Its output is high and its energy consumption is low. Under the same diameters of mantle, the crushing stroke is longer, and the crushing ration is bigger. Laminated crushing function can be fully realized with full load, which can ensure reliable composition and good shape of final sizes.

更短的停车时间

山美圆锥破碎机采用液压锁紧、过载保护方式。当有不可破碎的异物进入破碎腔时，液压系统可以平缓的释放冲击力以保护主机，并在异物通过后回到原来的排料口，避免出现闷车的现象。

如果破碎机在重载的情况下停机，全新的双作用液压缸能提供较大的清除行程，帮你快速的清理掉破碎腔中的物料，并可以恢复到原来的排料口，不需要您再次调整排料口。相对于传统的弹簧式圆锥破碎机来说，更加安全。

更加快捷，最大限度的节约了您的停机时间。



Minimize the amount of downtime

SANME cone crusher adopts hydraulic pressure locking, overload protection. When some unbreakable foreign materials enter the crushing cavity, hydraulic system can release the impact force gently to protect the mainframe and the discharge opening will go back to the original place after the foreign materials are discharged.

If cone crusher is stopped with load, the whole-new hydraulic cylinder of double functions clears the materials in the cavity, and then the discharge opening goes back to the original place. Compared with the traditional spring cone crusher, the hydraulic cone crusher will be even safer and faster, which will save downtime time.

液压马达调整排矿口

采用液压马达调整排矿口，方便快捷。

Discharge setting can be adjusted by hydraulic motor

By hydraulic motor, the discharge setting can be easily and quickly adjusted.

SMH120/180/250为选装 - **Optional**

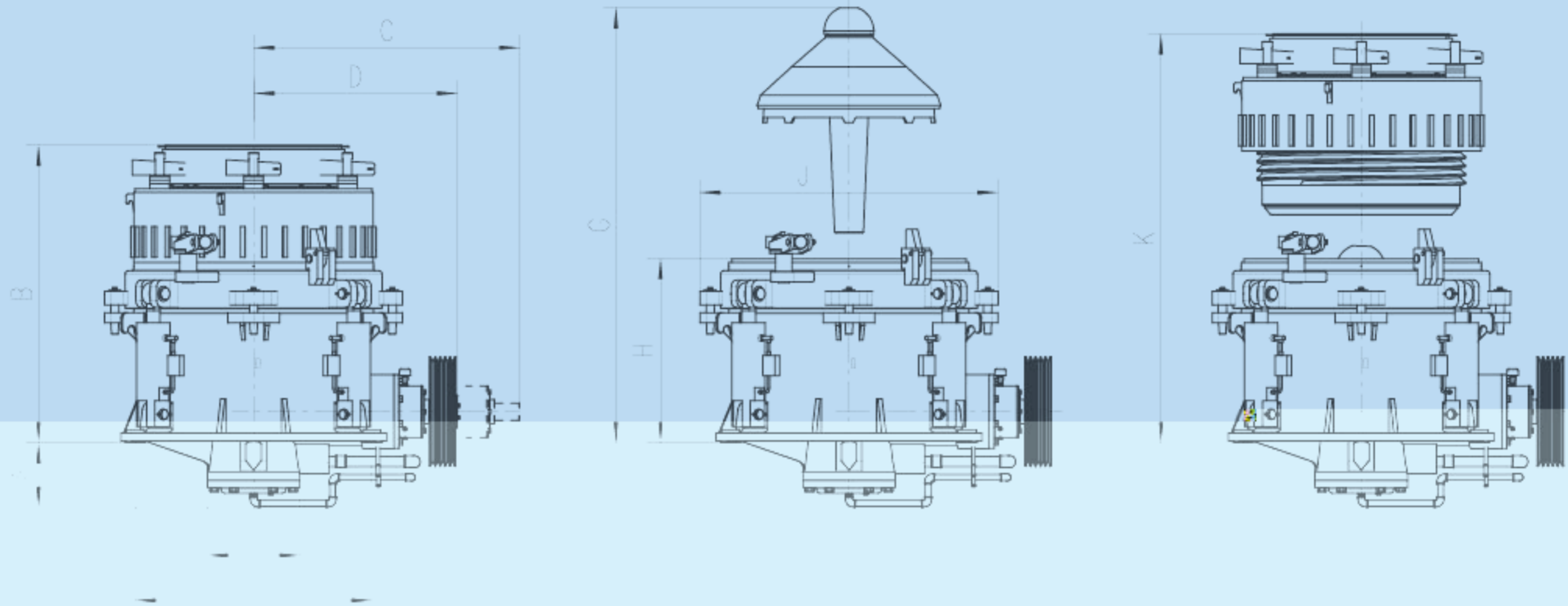
SMH350/550为标准配置 - **Standard**



SMH系列多缸液压圆锥破碎机

SMH Series Cone Crusher

拆卸外形尺寸和重量 Clearance Dimensions and Weight



拆卸外形尺寸和重量 Clearance Dimensions and Weight	单位 Unit	破碎机规格 Crusher Specifications					
		SMH120	SMH180	SMH250	SMH350	SMH550	
机架底面至底部油管最低点 Distance between rack bottom and oil pipeline at the bottom	A	mm	377	263	593	850	1020
机架底面至给料斗顶部 Distance between rack bottom and hopper top	B	mm	1737	1810	2119	2496	3290
拆卸传动轴部所需水平空间 Horizontal space at the time of drive shaft disassembling	C	mm	277	377	483	596	750
拆卸传动轴部所需水平空间 Horizontal space at the time of drive shaft disassembling	D	mm	1191	1191	1566	2465	2968
破碎机中心线至传动轴外端面 Distance between centre line of crusher and outside end surface of drive shaft	E	mm	1380	1380	1766	2260	2490
底盖直径 Diameter of bottom cap	F	mm	686	800	927		
拆卸主轴部所需高度空间 Vertical space at the time of main axis disassembling	G	mm	2358	2233	3333		
机架底面至给料斗顶部 Distance between rack bottom and top of hopper top	H	mm	1373	1307	1534	1765	
拆卸主轴部所需高度空间 Vertical space at the time of main axis disassembling	J	mm	1340	1340	2358	2630	
拆卸主轴部所需高度空间 Vertical space at the time of main axis disassembling	K	mm	2338	2233	3333		

SMH系列多缸液压圆锥破碎机

SMH Series Cone Crusher

标准型液压圆锥破碎机技术参数 Technical Data of Standard Head Cone Crusher

型号 Model	最大给料尺寸 Max Feeding Size(mm)	排料口范围 Discharge Range(mm)	电机功率 Motor Power (kw)	生产能力 (吨/小时)—— 开路循环, 闭边排料口 Capacity(t/h)——open circuit, closed discharge(mm)													
				9	13	16	19	22	26	32	38	51	63	76	89		
SMH120C	160	22-32	75-90					120	130	150							
SMH120M	130	13-26			70	85	100	120	130								
SMH120F	102	9-22		58	70	85	95	110									
SMH180C	180	22-32	132-160					185	195	215							
SMH180M	140	13-32			90	115	135	160	180	200							
SMH180F	60	9-22		60	80	100	120	140									
SMH250EC	260	26-51	160-200						250	290	340	395					
SMH250C	220	19-51					182	209	236	279	334	365					
SMH250M	150	16-38				140	165	185	220	275	330						
SMH250F	115	13-31			115	133	156	176	192	226							
SMH350EC	315	38-63	250-280								555	649	766				
SMH350C	230	26-63							366	430	468	629	657				
SMH350M	205	22-52						296	343	387	427	479					
SMH350F	180	16-38				212	239	270	320	355	374						
SMH550EC	450	38-89	355-400								920	1179	1380	1475	1566		
SMH550C	350	31-76								800	850	1100	1288	1398			
SMH550M	320	25-63							612	735	815	980	1137				
SMH550F	268	19-52					392	453	535	620	725	867					

短头型液压圆锥破碎机技术参数 Technical Data of Short Head Cone Crusher

型号 Model	最大给料尺寸 Max Feeding Size(mm)	排料口范围 Discharge Range(mm)	电机功率 Motor Power (kw)	生产能力 (吨/小时)—— 开路循环, 闭边排料口 Capacity(t/h)——open circuit, closed discharge(mm)													
				3	5	6	9	13	16	19	22	26	32	38			
SMH120DC	70	6-19	75-90			62	82	102	123	138							
SMH120DM	51	5-16				45	58	78	99	116							
SMH120DF	35	3-13		30	45	58	78	95									
SMH180DC	70	6-19	132-160			72	90	108	131	158							
SMH180DM	51	5-16				68	76	95	118	145							
SMH180DF	35	3-13				70	82	95	120								
SMH250DC	89	9-22	160-200				126	168	196	215	252						
SMH250DM	70	6-16				88	117	156	172								
SMH250DF	54	5-16			63	86	115	143	169								
SMH350DEC	133	13-25						262	308	322	358	385					
SMH350DC	133	10-25					208	262	308	322	358	385					
SMH350DM	89	6-19				126	186	222	260	292							

SMH系列多缸液压圆锥破碎机

SMH Series Cone Crusher

不同排料口 (mm) 条件下, 产品粒度特性 (通过方孔筛 mm 的百分比 %)

Product Gradation Table (% passing through square mesh depending on the setting)

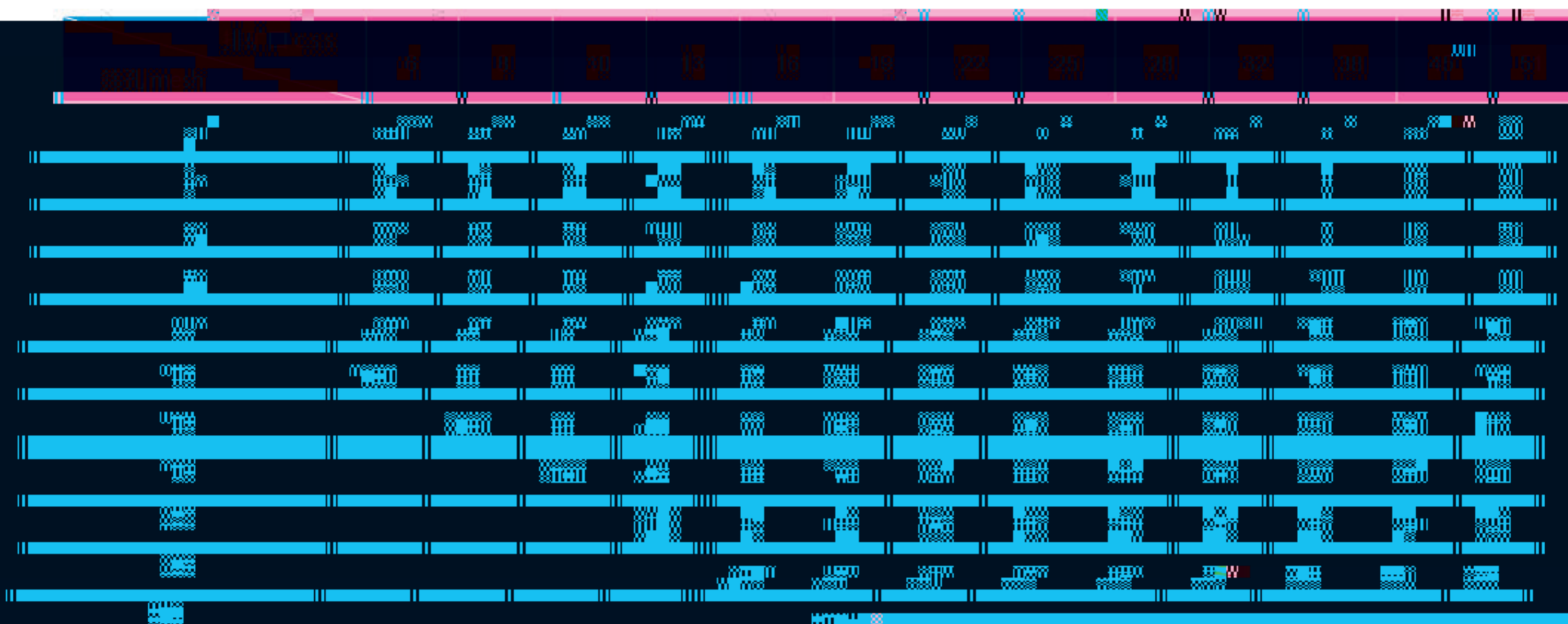
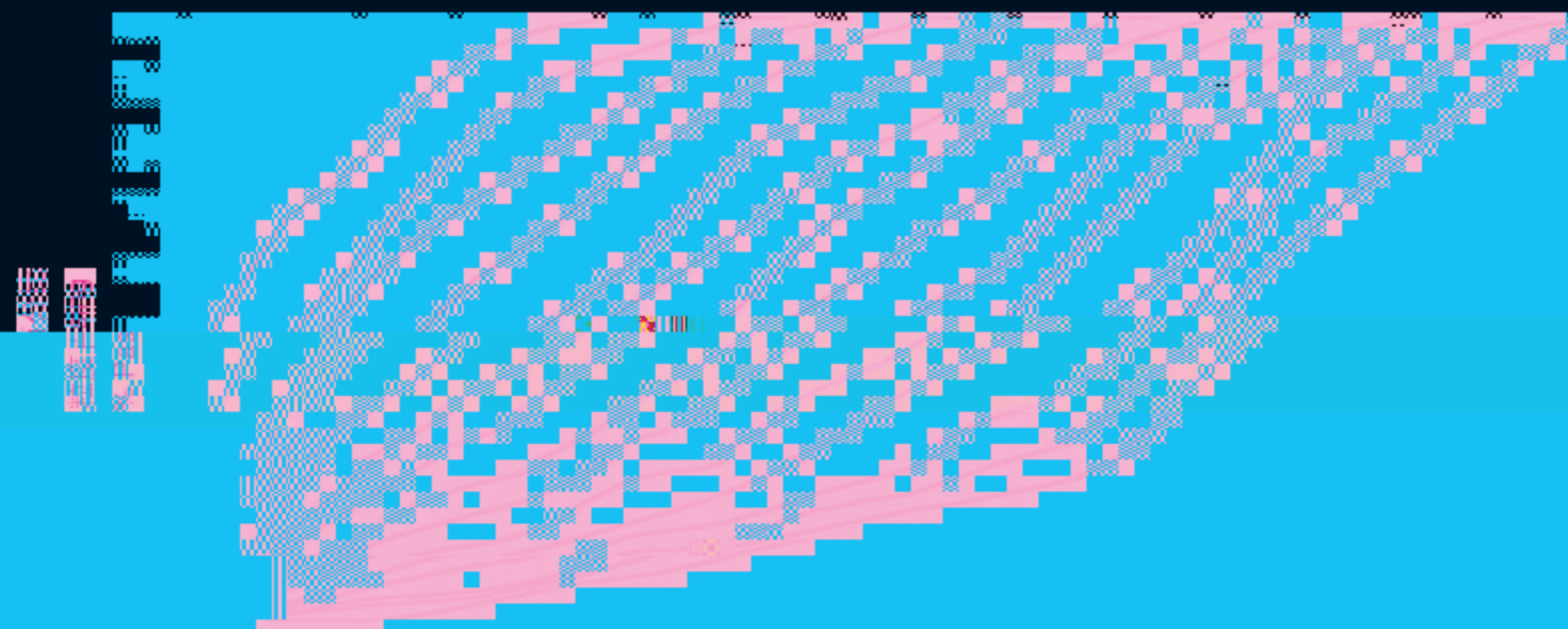


图 1 不同排料口条件下产品粒度特性



11



SMH系列多缸液压圆锥破碎机

SMH Series Cone Crusher

圆锥破碎机的生产能力表可作为正常发挥SMH系列圆锥破碎机生产能力的参照。破碎机是生产线中的一个组成部分。因此它的性能受给料机、皮带机、振动筛、电动机、传动部件及料仓是否正确选择和操作影响。

The capacity charts is for properly using SMH cone crusher and get to its capacity. Crusher is component of mining production line, so it's character result from feeder, conveyor, screen, electric motor, drive part, hopper.

所以使用时注意以下因素可提高破碎机的生产能力和性能:

Noticing following factors can enhance crusher capacity and character:

- 针对所破碎的物料正确的选择破碎腔;
According on crushing material to select chamber
- 给料粒度配比适当;
Feed rate is controlled.
- 在破碎腔360° 范围内给料分布均匀;
Feed is average distribute at 360° crushing chamber.
- 自动控制装置;
Automation controls
- 破碎机排料区通畅;
Enough crusher discharge area.
- 输送带的规格与破碎机的最大处理能力相适应;
Capacity of discharge conveyor is more than cone crusher
- 适当的选择预先筛分和闭路筛分的筛子规格。
Use right scalping and closed circuit screens

以下因素会降低破碎机的生产能力:

Following factors reduce capacity of crusher:

- 给料中小于排料口的细料超过破碎机生产能力的10%;
Fine material of feeding is more than 10% of capacity.
- 给料中含有粘性物料;
Containing sticky material in feed
- 缺少给料控制;
Lack of feeding control
- 沿破碎腔周围的给料分布不均匀;
Feed is not averagely distributed around crushing chamber
- 未使用推荐的功率;
Horsepower is not getting to recommended
- 系统筛分能力不足;
Discharge area, discharge conveyor, scalper and screen are not sufficient
- 破碎机排料区不畅通;
Insufficient crusher discharge area
- 物料过硬或者过于坚韧。
Feed material is too hard or too tough.



SMH系列多缸液压圆锥破碎机

SMH Series Cone Crusher

SMH250,SMH350 在蒙古铁矿破碎生产线现场

SMH250,SMH350 at Mongolia Iron Ore Crushing Production Line



SMH350 液压圆锥破碎机在俄罗斯的使用现场

The Operation site of SMH350 Hydraulic Cone Crusher in Russia

